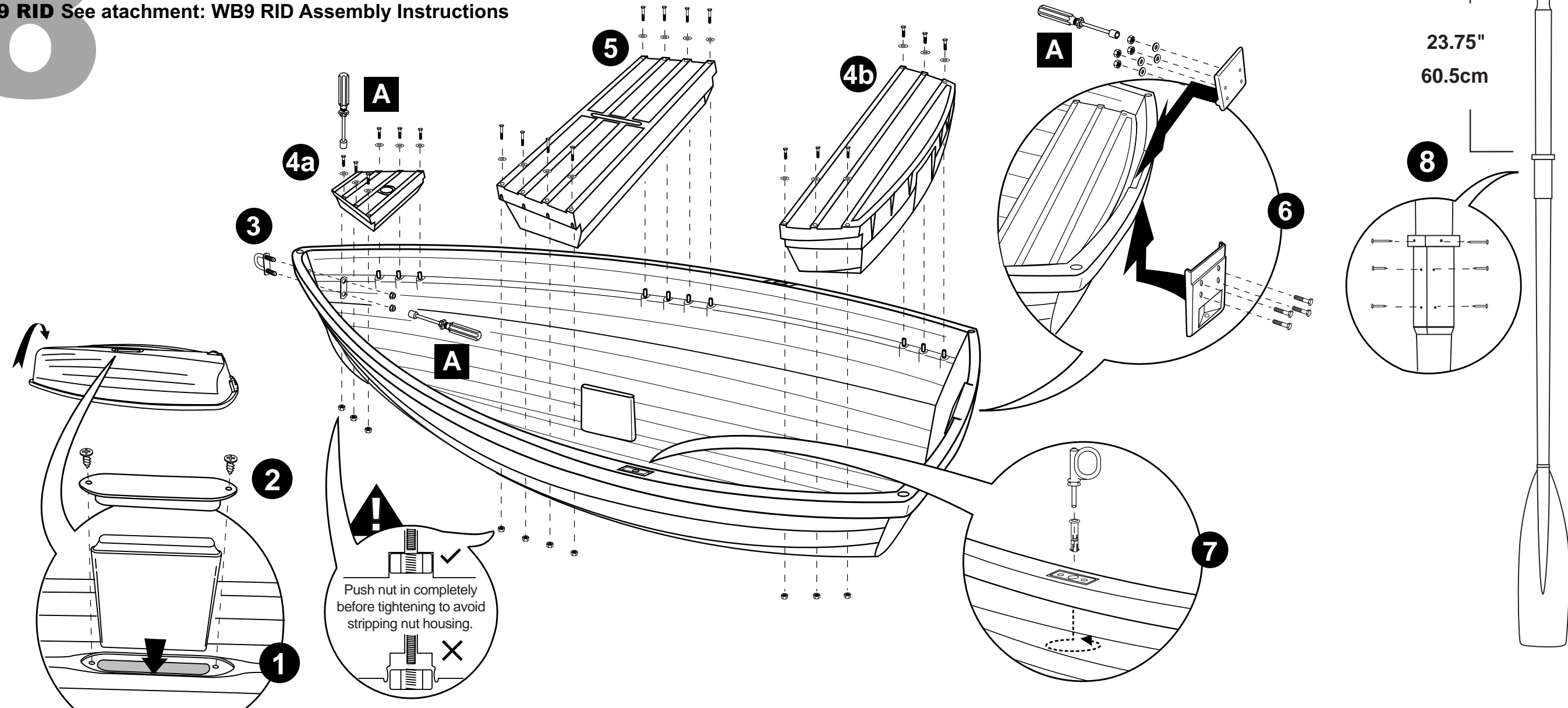


WB8 Basic Assembly Instructions



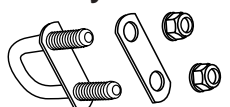
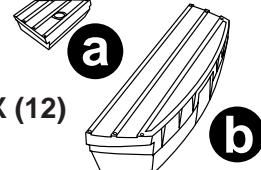
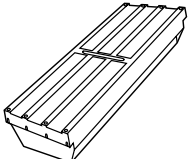
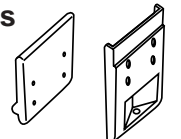
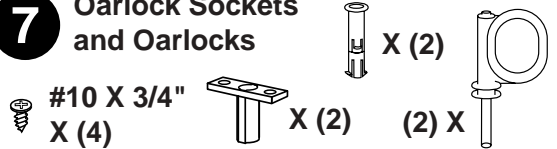
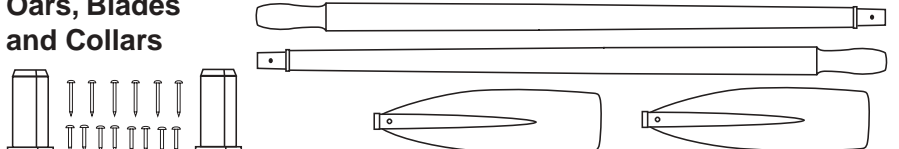
WB8 Classic See attachment: Classic Assembly Instructions

WB9 RID See attachment: WB9 RID Assembly Instructions



!
Push nut in completely before tightening to avoid stripping nut housing.

23.75"
60.5cm

<p>1 Foam Plug</p> 	<p>2 Keel Plate</p>  <p>#14 x 3/4" X (2)</p>	<p>3 Bow Eye</p> 	<p>4 Bow and Stern Seats</p>  <p>1/4" — 20 X 1-1/4" X (12)</p>	<p>5 Mid-seat</p>  <p>1/4" — 20 X 1-1/4" X (12)</p>
<p>6 Motor Mounting Plates</p>  <p>1/4" — 20 X 1-1/4" X (4)</p>	<p>7 Oarlock Sockets and Oarlocks</p>  <p>#10 X 3/4" X (4)</p>	<p>8 Oars, Blades and Collars</p> 	<p>A Nut Driver</p> 